

Motor Control & Protection

YCK Air Conditioning Contactor



General

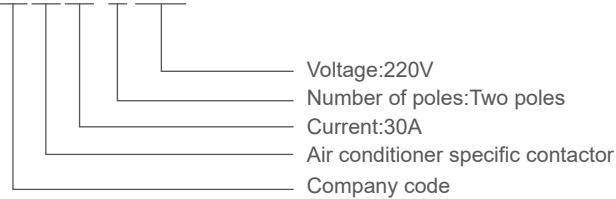
YCK air conditioning contactor is an electrical component used to control the start and stop of electrical equipment in an air conditioning system, such as the compressor and fan. The main function of the contactor is to supply power to various devices in the air conditioning system by controlling the circuit switch.

Application: YCK air conditioning contactors are mainly used in central air conditioning systems, residential air conditioners, commercial air conditioners, and other air conditioning equipment to control the start and stop of devices like compressors, fans, and condensers.

Standards: IEC 60947-4-1

Type designation

YC K -30 /2 220V



Product model: YCK-30/1, YCK-30/2, YCK-30/3, YCK-30/4, YCK-40/1, YCK-40/2, YCK-40/3, YCK-40/4, YCK-50/3, YCK-60/3, YCK-75/3, YCK-90/3

Operating conditions

1. Ambient temperature: $-40^{\circ}\text{C} \sim +65^{\circ}\text{C}$
2. Relative humidity: $\leq 20\%$ at 40°C ; $\leq 90\%$ at 20°C
3. Altitude: $\leq 2000\text{m}$
4. Environmental conditions: no harmful gases and vapors, no conductive or explosive dust, no severe mechanical vibration

Technical parameter

Ar extinguishing cover	Standard configuration	
Insulation materials	130°C Class B	
Temperature range	-40°C to $+65^{\circ}\text{C}$, -40F to $+150\text{F}$	
Weight	50-60FLA 0.91kg, 75-90FLA 1.81kg	
Terminal type	Aluminum pressure wire box	
Wiring size	50/60FLA crimping box 14-2 75/90FLA crimping box 14-1	
Recommended locking torque	Crimping box	5.67N.m
	Quick connect terminal	Double.250 "insert or #6-32 screw/.250"insert
Coil terminal	Main circuit terminal	Double.250 "Insert

Motor Control & Protection

YCK Air Conditioning Contactor

Coil Voltage	YCK-30/1,YCK-40/1 One pole contactor				YCK-30/2,YCK-40/2 Two pole contactor			
	24	120	208/240	277	24	120	208/240	277
Coil resistance	18	420	1800	2500	11	237	1000	1600
Pull-in voltage	18	88	177	221	18	88	177	221
Release voltage	6-15	20-70	40-140	50-165	6-15	20-70	40-140	50-165
Power consumption of suction ·50Hz	31	31	31	31	33	33	33	33
Power consumption of suction ·60Hz	28	28	28	28	30	30	30	30
Maintain power consumption-50Hz	6	6	6	6	8	8	8	8
Maintain power consumption-60Hz	5	5	5	5	6.5	6.5	6.5	6.5
Maximum coil voltage	30	132	264	300	30	132	264	300

Coil Voltage	YCK-30/3,YCK-40/3 Triple pole contactor				YCK-30/4,YCK-40/4 Quadru pole contactor			
	24	120	208/240	277	24	120	208/240	277
Coil resistance	7	180	720	900	6	150	600	750
Pull-in voltage	18	88	177	221	18	88	177	220
Release voltage	6-15	20-70	40-140	50-165	6-15	20-70	40-140	65-185
Power consumption of suction ·50Hz	65	65	65	65	62	62	62	62
Power consumption of suction ·60Hz	60	60	60	60	59	59	59	59
Maintain power consumption-50Hz	7.5	7.5	7.5	7.5	9	9	9	9
Maintain power consumption-60Hz	6	6	6	6	7	7	6	7
Maximum coil voltage	30	132	264	300	30	132	264	300

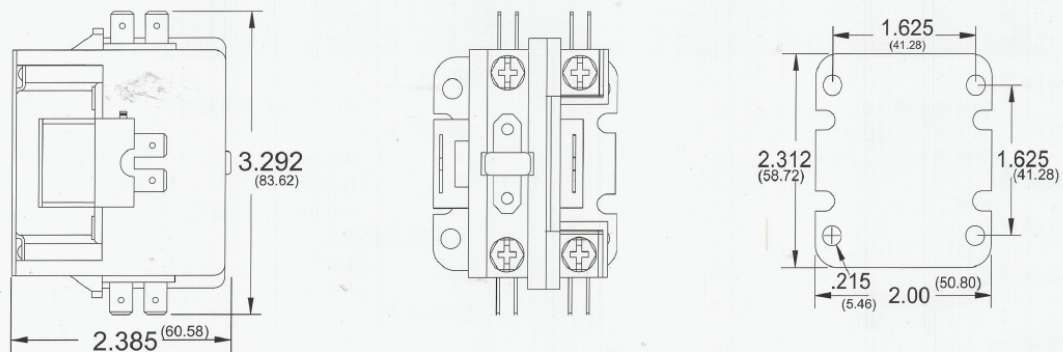
Coil Voltage	YCK-50/3,YCK-60/3 contactor				YCK-75/3,YCK-90/3 contactor			
	24	120	208/240	277	24	120	208/240	277
Coil resistance	7	180	720	900	0.65	16	64	85
Pull-in voltage	18	93	177	235	18	88	177	220
Release voltage	6-15	20-70	40-140	50-165	6-15	20-70	40-110	65-185
Power consumption of suction ·50Hz	140	140	140	140	285	285	285	285
Power consumption of suction ·60Hz	132	132	132	132	240	240	240	240
Maintain power consumption-50Hz	20	20	20	20	42	42	42	42
Maintain power consumption-60Hz	14	14	14	14	27	27	27	27
Maximum coil voltage	30	132	264	300	30	132	264	300

Motor Control & Protection

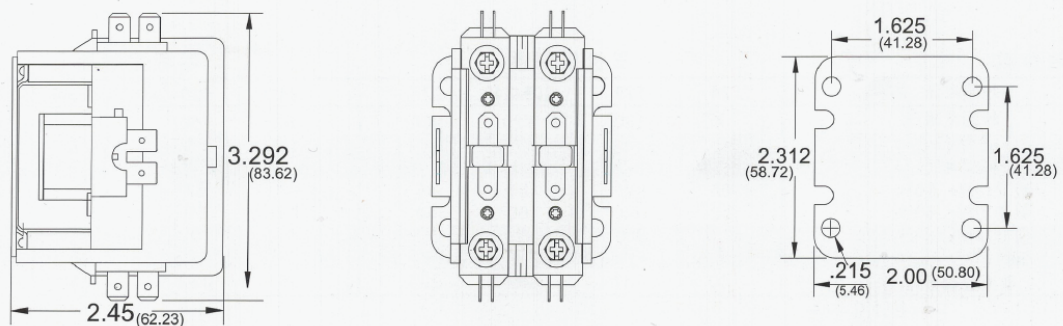
YCK Air Conditioning Contactor

Overall and mounting dimensions(mm)

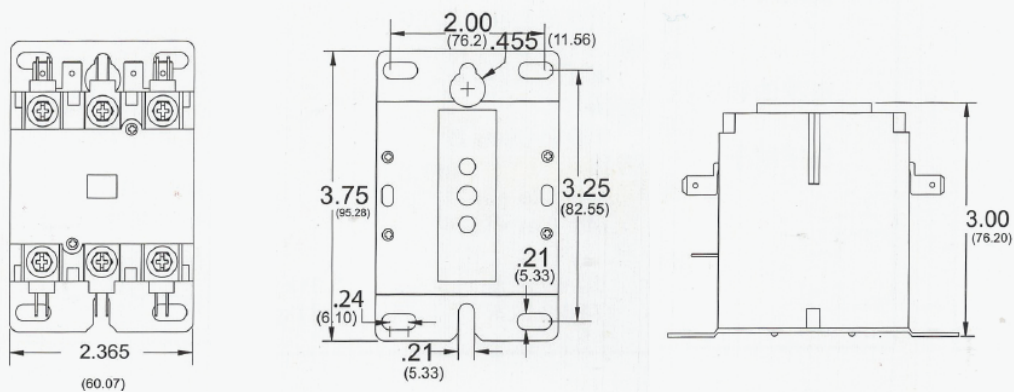
Dimensions of one pole in inches



Dimensions of two pole in inches



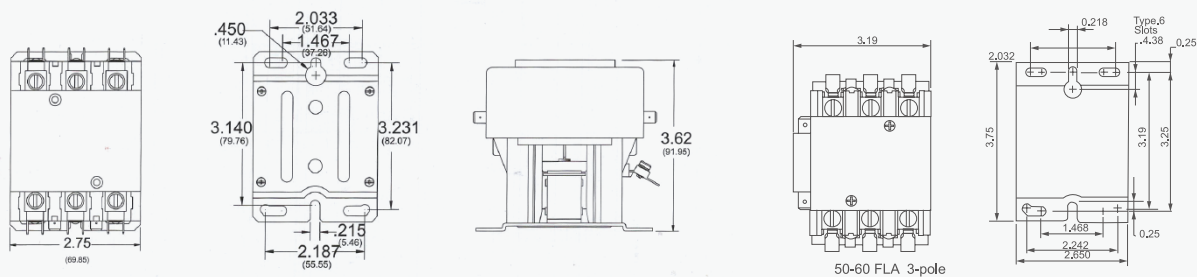
Three pole external dimensions in inches



Motor Control & Protection

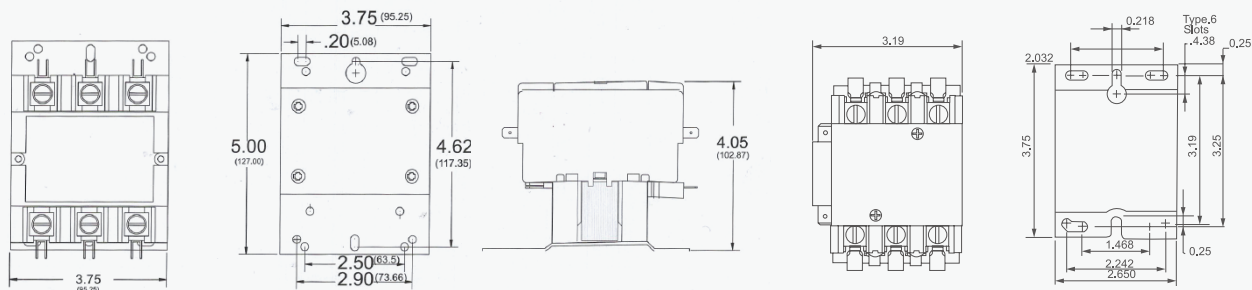
YCK Air Conditioning Contactor

50-60FLA external dimensions in inches



50-60 FLA 3-pole

75-90FLA external dimensions in inches



Quadrupole dimensions in inches

