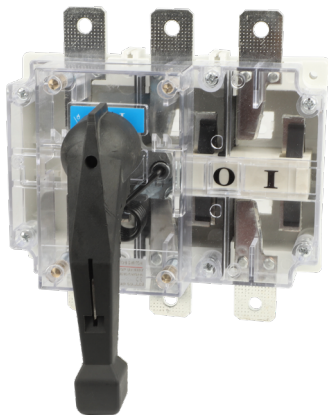
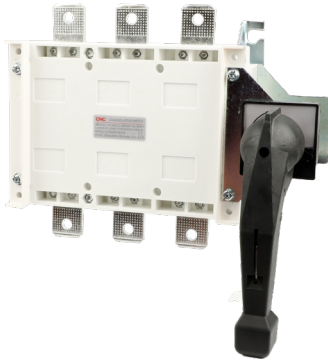


Distribution Apparatus

YCHGL-63~3200A Isolating Switch



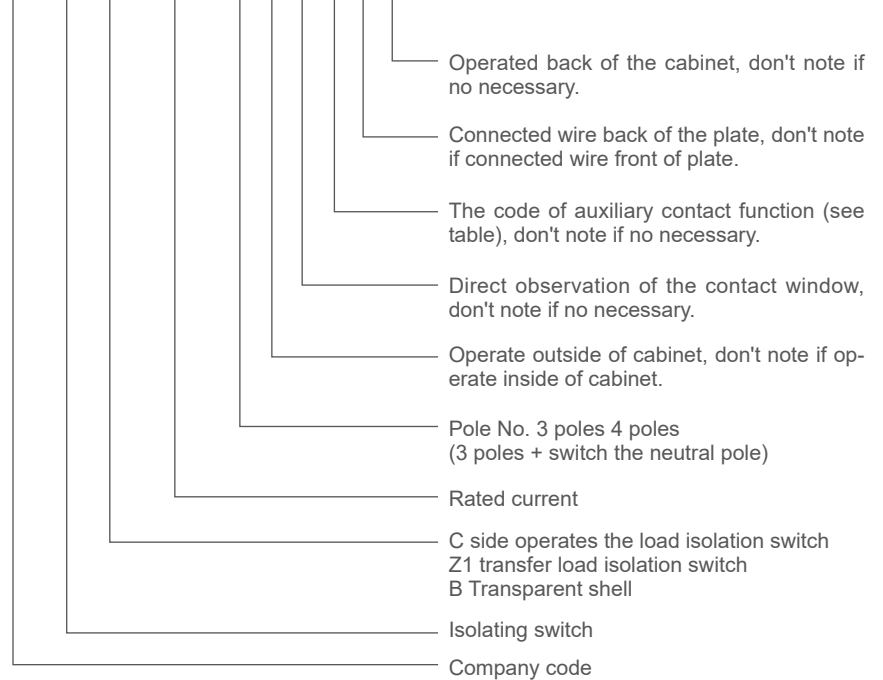
General

AC 50Hz, rated voltage 660V, rated current 3200A. It is used for making and breaking circuit not frequently.

Standard: IEC60947-3

Type designation

YC HGL □ - □ A / □ J K □ B H



One NO and one NC	F11	NO+NC
Two NO and Two NC	F22	2NO+2NC

Example for lectotype: Rated current 630A, include neutral pole transferring load isolation switch, YCHGLZ1-630A/4J for operating outside of cabinet

Operating conditions

1. YCHGL load-isolation switch can operate under the following conditions
2. Altitude not more than 2000m;
3. The range of ambient temperature is from -5°C to 40°C;
4. Relative humidity not more than 95%;
5. The environment without any explosive medium.
6. The environment without any rain or snow attacking.

If the product is expected to be used in the environment where temperature is over +40°C or below -5°C, users shall tell it to the manufacturer.

B

Distribution Apparatus

YCHGL-63~3200A Isolating Switch

Technical data

Table 1

Item		Date								
Conventional thermal current (A)		63A		100A		160A		250A		
Rated current I _n (A)		40	63	80	100	125	160	200	250	
Rated insulation voltage U _i (V) (installation type IV)		690	690	690	690	690	690	690	690	
Dielectric strength (V)		5000	5000	5000	5000	5000	5000	5000	5000	
Rated surge-resistant voltage U _{imp} kV (installed category IV)		6	6	6	6	6	6	6	6	
Rated working current I _e (A)	400V	AC-21B	40	63	80	80	125	160	200	250
		AC-22B	40	63	80	80	125	160	200	250
		AC-23B	40	50	80	80	125	160	200	250
	660V	AC-21B	40	50	80	80	125	160	200	250
		AC-22B	32	32	50	50	125	160	160	160
		AC-23B	25	25	40	40	80	80	100	125
Motor power P (kW)	400V	18.5	25	40	40	63	80	100	132	
	660V	22	22	33	33	75	75	90	110	
Rated short-time withstand current I _{cw} (kA Rms) 0.1s/1s		2	2	2	2	8	8	12	12	
Rated breaking capability I _{cn} (A Rms) AC23 400V		320	504	640	800	1000	1000	1600	1600	
Rated making capability I _{cm} (A Rms) AC23 400V		400	630	800	1000	1250	1600	2000	2500	
Rated short-current making capability I _{cm} (kA peak value)		2.84	2.84	2.84	2.84	13.6	13.6	17	17	
Mechanical durability 400V		1700	1700	1700	1700	1400	1400	1400	1400	
Electrical durability 400V		300	300	300	300	200	200	200	200	
Operation moment (Nm)		1.2	1.2	1.2	1.2	6.5	6.5	10	10	

Table 2

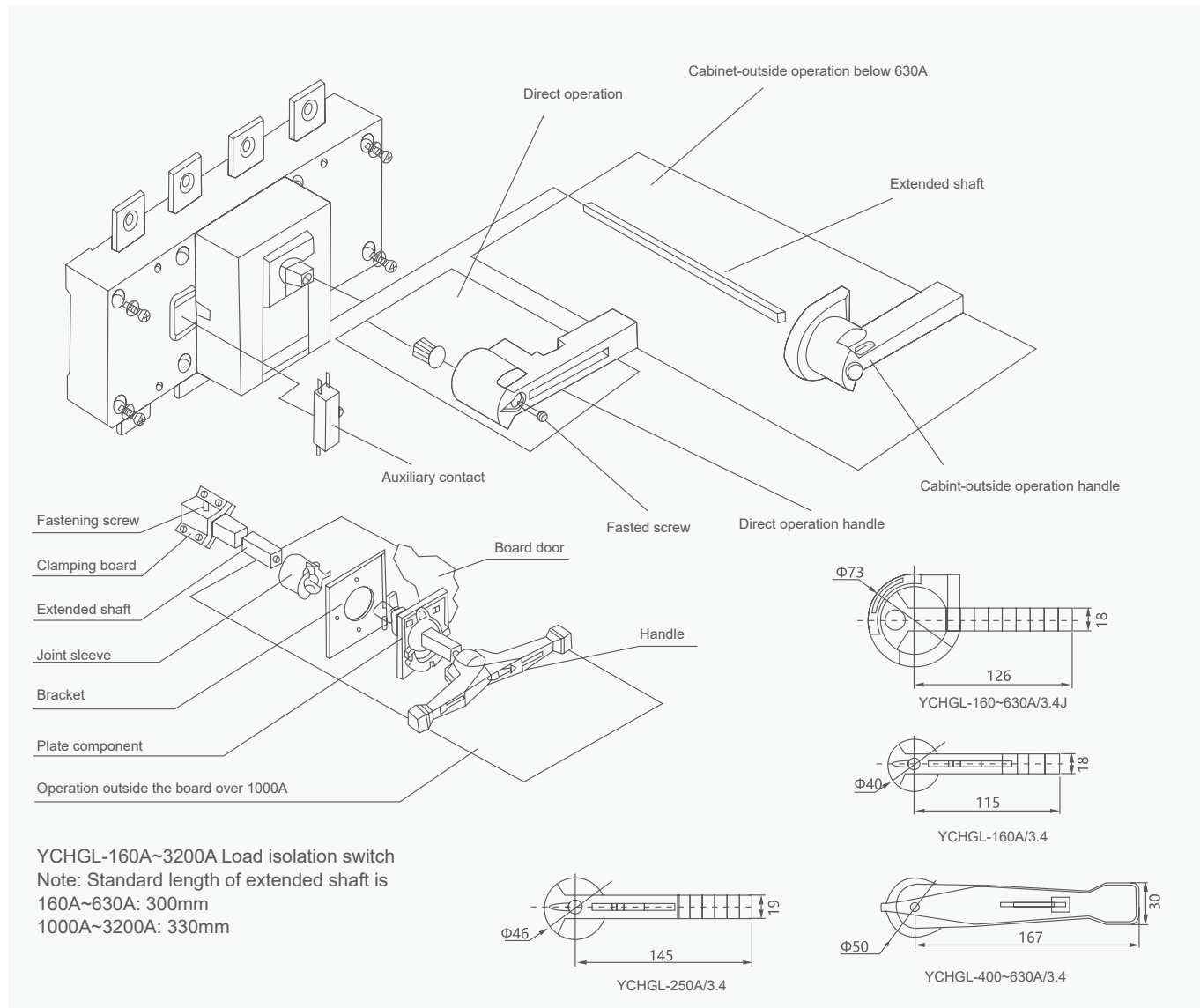
Item		Date										
Conventional thermal current (A)		400A		630A		1600A		3200A				
Rated current I _n (A)		315	400	500	630	1000	1250	1600	2000	2500	3200	
Rated insulation voltage U _i (V) (installation type IV)		1000	1000	1000	1000	1000	1000	1000	1000	1000	1000	
Dielectric strength (V)		8000	8000	8000	8000	10000	10000	10000	10000	10000	10000	
Rated surge-resistant voltage U _{imp} kV (installed category IV)		6	6	6	6	6	6	6	6	6	6	
Rated working current I _e (A)	400V	AC-21B	315	400	500	630	1000	1250	1600	2000	2500	3200
		AC-22B	315	400	500	630	1000	1250	1600	2000	2500	3200
		AC-23B	315	400	500	630						
	660V	AC-21B	315	400	400	500	1000	1000	1600	2000	2500	2500
		AC-22B	315	315	315	315	800	800	800	1000	1250	1600
		AC-23B										
Motor power P (kW)	400V	160	220	280	315	560	560	560	710	710	710	
	660V	185	185	185	185	475	475	475	750	750	750	
Rated short-time withstand current I _{cw} (kA Rms) 0.1s/1s		25	25	25	25	50	50	50	50	50	50	
Rated breaking capability I _{cn} (A Rms) AC23 400V		2520	3200	4000	5040	3000	3750	4800	6000	7500	9450	
Rated making capability I _{cm} (A Rms) AC23 400V		3200	4000	5000	6300	3000	3750	4800	6000	7500	9450	
Rated short-current making capability I _{cm} (kA peak value)		40	40	40	40	70	70	70	105	105	105	
Mechanical durability 400V		800	800	800	800	500	500	500	300	300	300	
Electrical durability 400V		200	200	200	200	100	100	100	100	100	100	
Operation moment (Nm)		14.5	14.5	14.5	14.5	37	37	37	60	60	60	

Distribution Apparatus

YCHGL-63~3200A Isolating Switch

Operation mode

1. Direct operation: The handle is installed in the middle of the switch.
2. Operation outside the board: The handle is installed outside the door off distributing board.

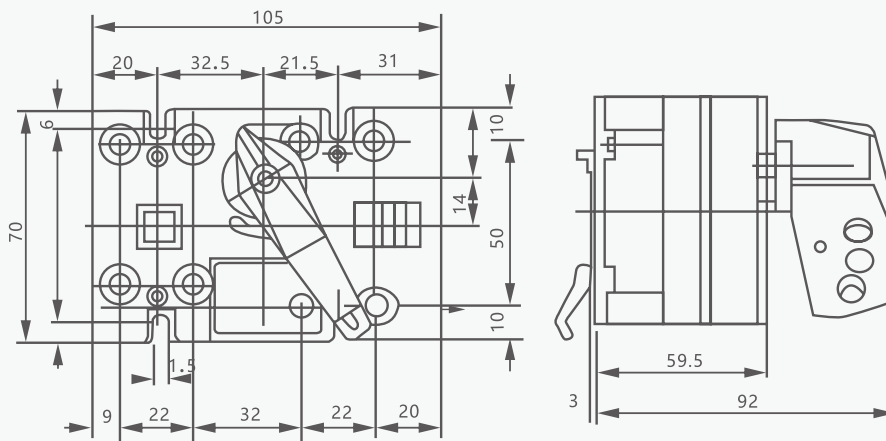


Distribution Apparatus

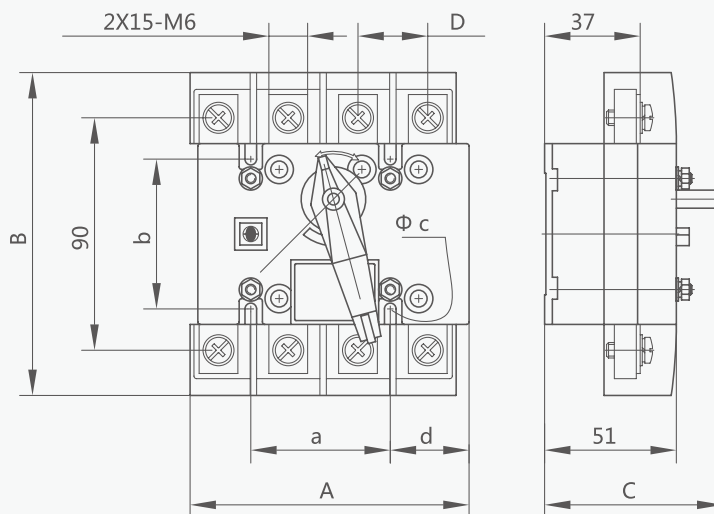
YCHGL-63~3200A Isolating Switch

Overall and mounting dimensions(mm)

Load isolation switch side operation load isolation switch of YCHGL-63A~100A



Direct operation of YCHGL 63 A



Direct operation of YCHGL 100 A

Specification		Overall Dimensions				Installation Dimensions			
		A	B	C	D	a	b	Φc	d
YCHGL-100	/3	85	125	68	27	54	58	4.5	7
	/4	109	125	68	27	54	58	4.5	30

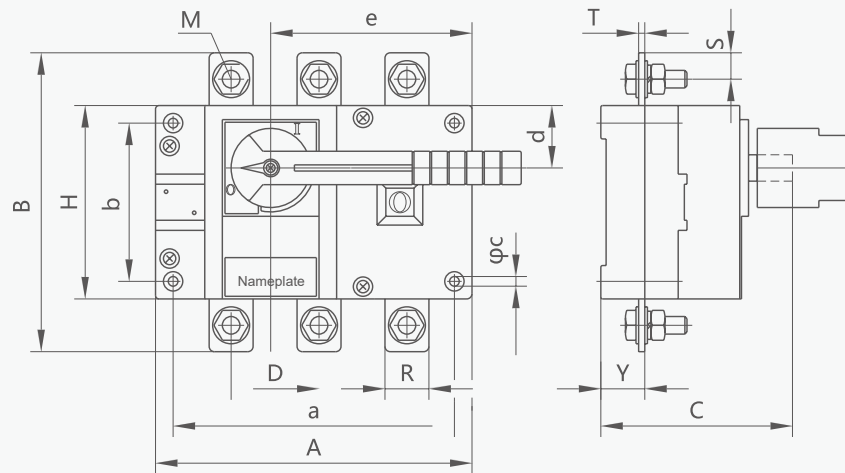
B

Distribution Apparatus

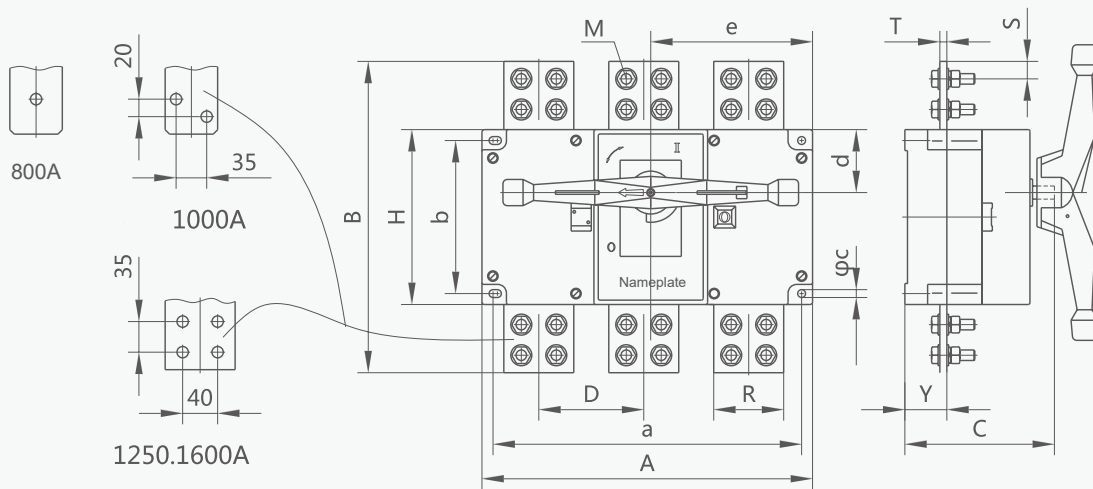
YCHGL-63~3200A Isolating Switch

Outline and Installation Dimensions of YCHGL-160~1600A

B



YCHGL-160~630A



YCHGL-800~1600A

Distribution Apparatus

YCHGL-63~3200A Isolating Switch

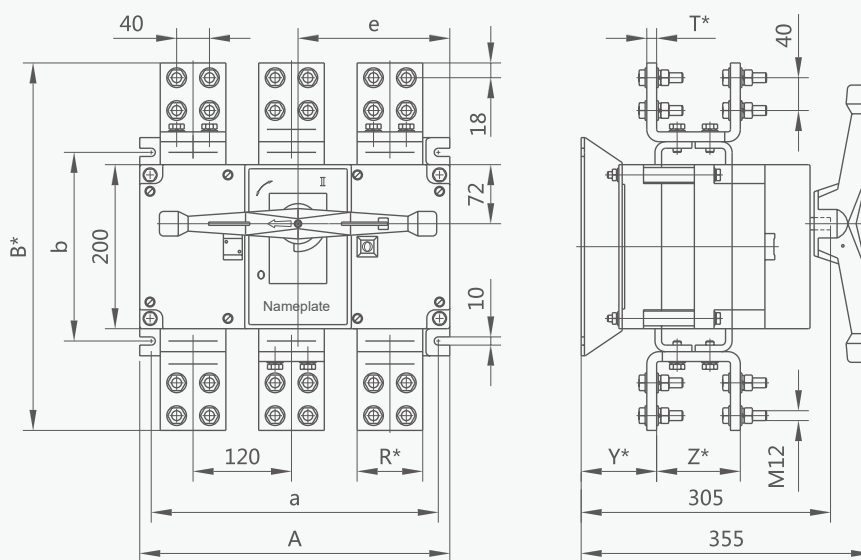
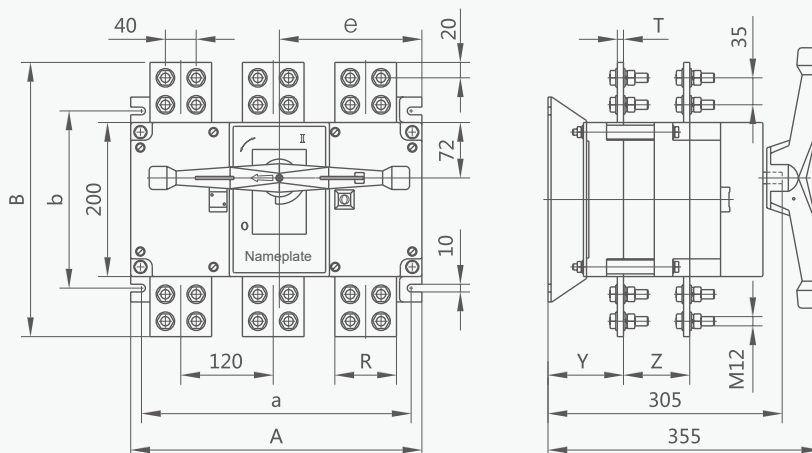
Model		Overall Dimensions					Mounting Dimensions					Terminal Dimensions				
		A	B	C	D	H	a	b	Φc	d	e	R	S	T	Y	M
YCHGL-160	/ 3	140	135	92	36	85	120	65	5.5	27	85	20	10	3.5	25	8
	/ 4	170	135	92	36	85	150	65	5.5	27	85					
YCHGL-250	/ 3	180	170	102	50	110	160	90	5.5	35	115	25	15	3.5	25	10
	/ 4	230	170	102	50	110	210	90	5.5	35	115					
YCHGL-400	/ 3	230	240	135	65	160	210	140	7	50	145	32	17	5	37	10
	/ 4	290	240	135	65	160	270	140	7	50	145					
YCHGL-630	/ 3	230	260	135	65	160	210	140	7	50	145	40	20	6	37	12
	/ 4	290	260	135	65	160	270	140	7	50	145					
YCHGL-800	/ 3	280	285	170	80	200	255	175	9	72	180	50	20	6	48	12
YCHGL-1000	/ 3	378	312	170	120	200	353	175	9	72	185	60	20	8	48	12
	/ 4	498	312	170	120	200	473	175	9	72	249					
YCHGL-1250	/ 3	378	356	170	120	200	353	175	9	72	185	80	20	8	48	12
	/ 4	498	356	170	120	200	473	175	9	72	249					
YCHGL-1600	/ 3	378	356	170	120	200	353	175	9	72	185	80	20	10	49	12
	/ 4	498	356	170	120	200	473	175	9	72	249					

B

Distribution Apparatus

YCHGL-63~3200A Isolating Switch

Load isolation switch side operation load isolation switch of YCHGL-2000A~3200A

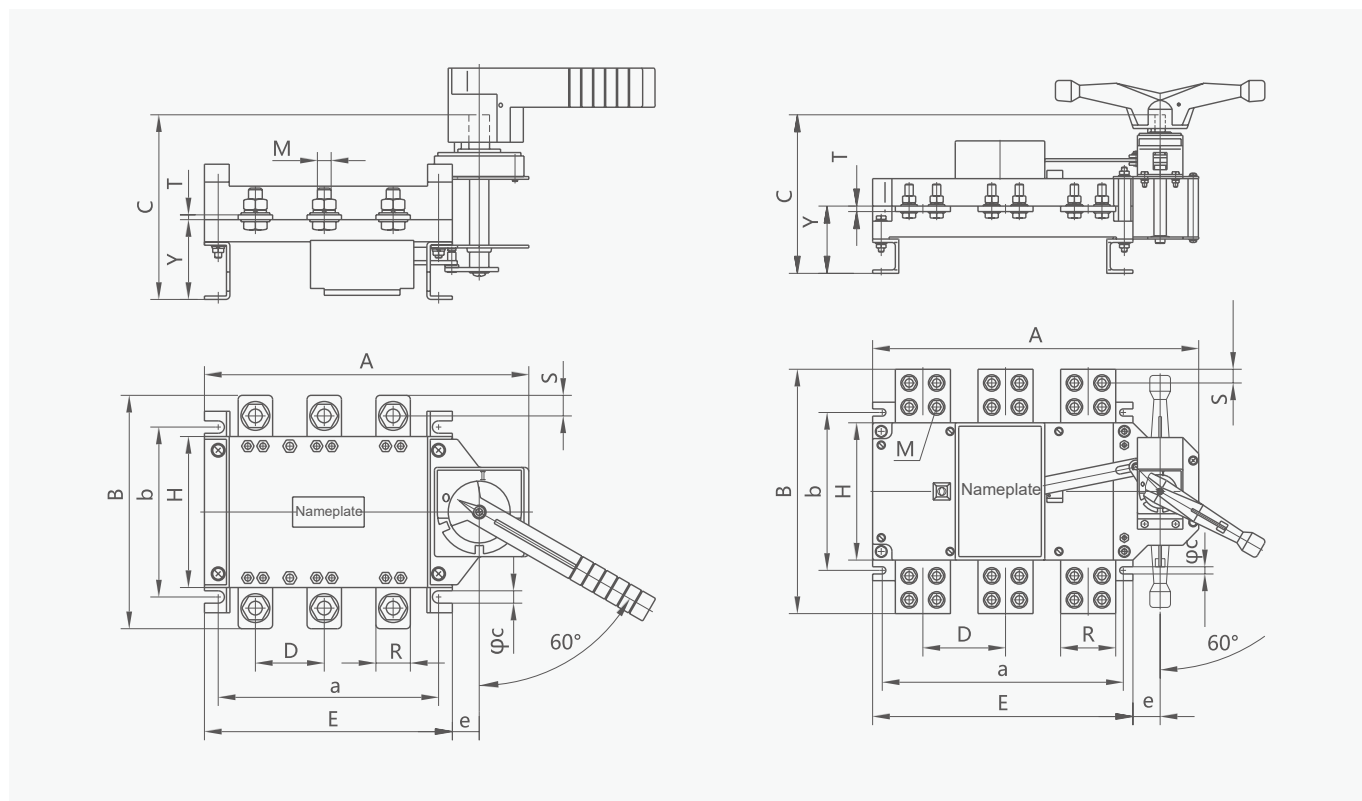


Specification	External Dimension and Installation Dimension								
	A	B/B*	a	b	e	R/R*	T/T*	Y/Y*	Z/Z*
YCHGL-2000A/3	378	306/502	347	212	185	60/60	8/10	98/85	88/115
YCHGL-2000A/4	498	306/502	470	212	249	60/60	8/10	98/85	88/115
YCHGL-2500A/3	378	306/502	347	212	185	80/80	8/12	98/85	88/115
YCHGL-2500A/4	498	306/502	470	212	249	80/80	8/12	98/85	88/115
YCHGL-3200A/3	378	306/502	347	212	185	80/100	10/15	93/83	88/120
YCHGL-3200A/4	498	306/502	470	212	249	80/100	10/15	93/83	88/120

Distribution Apparatus

YCHGL-63~3200A Isolating Switch

Outline and Installation Dimensions of YCHGLC-160~1600



B

Model	Overall Dimensions							Mounting Dimensions				Terminal Dimensions				
		A	B	C	D	E	H	a	b	Φ_c	e	R	S	T	Y	M
YCHGLC-160	/ 3	195	135	124	36	140	85	120	95	7	20	20	10	3.5	52	8
	/ 4	225	135	124	36	170	85	150	95	7	20					
YCHGLC-250	/ 3	235	170	132	50	180	110	160	115	9	20	25	15	3.5	60	10
	/ 4	285	170	132	50	230	110	210	115	9	20					
YCHGLC-400	/ 3	300	240	164	65	230	160	210	180	11	35	32	17	5	80	10
	/ 4	360	240	164	65	290	160	270	180	11	35					
YCHGLC-630	/ 3	300	260	164	65	230	160	210	180	11	35	40	20	6	80	12
	/ 4	360	260	164	65	290	160	270	180	11	35					
YCHGLC-1000	/ 3	473	312	232	120	378	200	350	230	10	40	60	20	8	98	12
	/ 4	593	312	232	120	498	200	470	230	10	40					
YCHGLC-1250	/ 3	473	356	232	120	378	200	350	230	10	40	80	20	8	98	12
	/ 4	593	356	232	120	498	200	470	230	10	40					
YCHGLC-1600	/ 3	473	356	232	120	378	200	350	230	10	40	80	20	10	99	12
	/ 4	593	356	232	120	498	200	470	230	10	40					