

Features

- 10 A Contact operating capacity
- Mechanical life ≥ 100000
- With 2Z,3Z contact forms
- Standard tube terminal
- With matched socket
- Including LED, test button

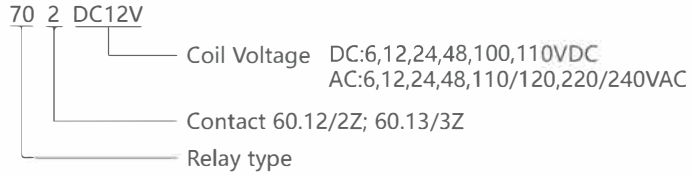


70.2



70.3

Model Meaning



Contact Rating

Contact Rating	2Z	3Z
Contact Resistance	50mΩ(1A 6VDC)	50mΩ(1A 6VDC)
Contact capacity	10A 28VDC/220VAC	10A/5A(NO/NC) 28VDC/220VAC

Specification

Insulation Resistance	500MΩ, 500VDC
Dielectric Strength	BCC 1000VAC 1min
	BOC 1500VAC 1min
Operate Time	30ms/20ms
Terminal Type	Socket

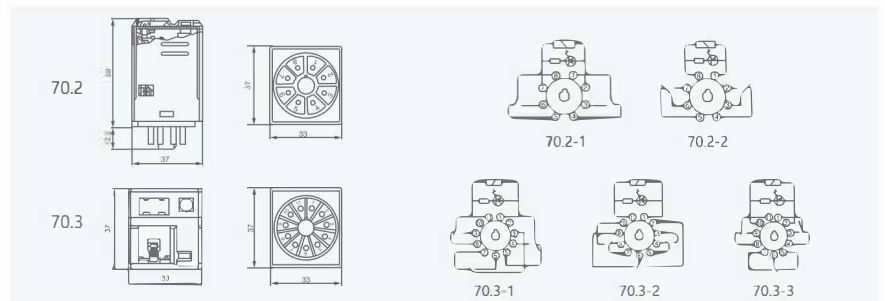
Coil Rating

Nominal Coil Power: 1.5W/2.5VA

Coil Versions

Nominal Voltage VDC	Pull-in Voltage VDC	Release Voltage VDC	Coil Resistance Ω:±10%	Nominal Voltage VDC	Pull-in Voltage VDC	Release Voltage VDC	Coil Resistance Ω:±10%
6	4.8	0.60	19	6	4.80	1.80	4.6
12	9.6	1.20	96	12	9.60	3.60	19
24	19.2	2.40	440	24	19.2	7.20	80
48	38.4	4.80	1660	48	38.4	14.4	320
100	80.0	10.0	9820	110/120	88.0	36.0	1700
110	88.0	11.0	9900	220/240	176.0	72.0	7400/8760

Dimension



Reference Data

