

JLSZW□-6、10 Outdoor HV Electric Mesuring Tank

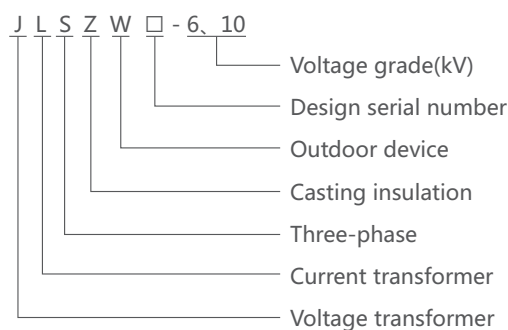


Summary

JLSZW□ -6、10 three-phase outdoor dry high-voltage electric measuring tank (combined transformer) is made up of two or three single-phase voltage transformers (PT) and current transformers (CT). PT and CT are both electromagnetic type.

This type of transformer is applicable to 50Hz (rated frequency), three-phase AC, 6kV, 10kV (rated voltage) electric net for power measuring. It is fixed on the high-voltage side of power supply transformer. There is one three-phase active watt-hour meter and one reactive watt-hour meter installed inside measuring box, which are used to directly measure active and reactive appliance in high-voltage circuits.

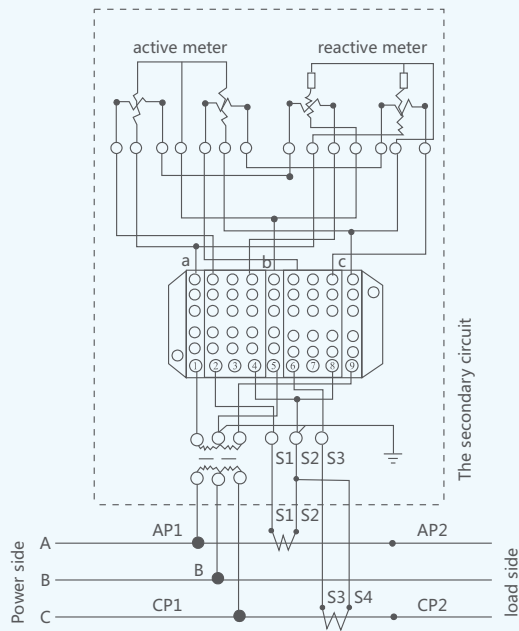
Model and Meaning



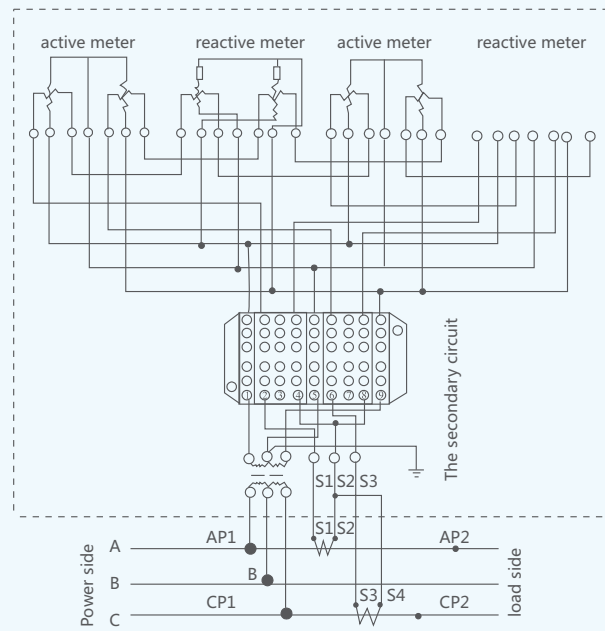
Technical Parameter

1. Rated Voltage: 10kV, 6kV
2. Accurate Grade: 0.5 and 0.2, 0.5S and 0.2S

Elementary Diagram

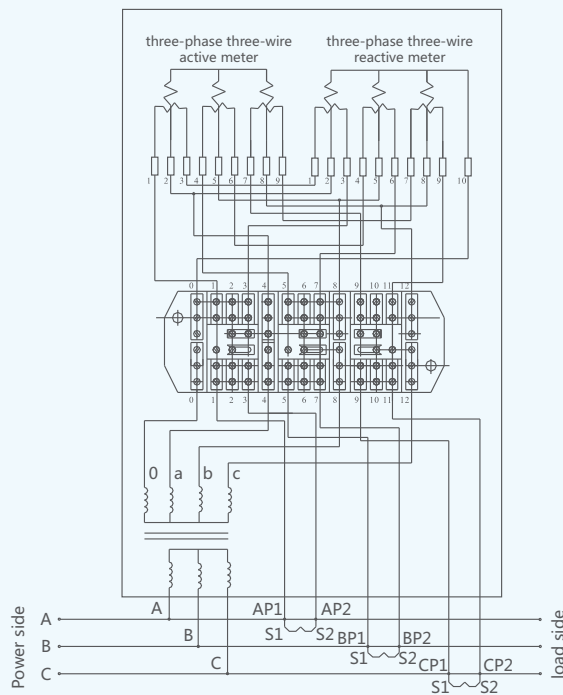


Three-phase three-wire single measuring chart 1



Three-phase three-wire double measuring chart 2

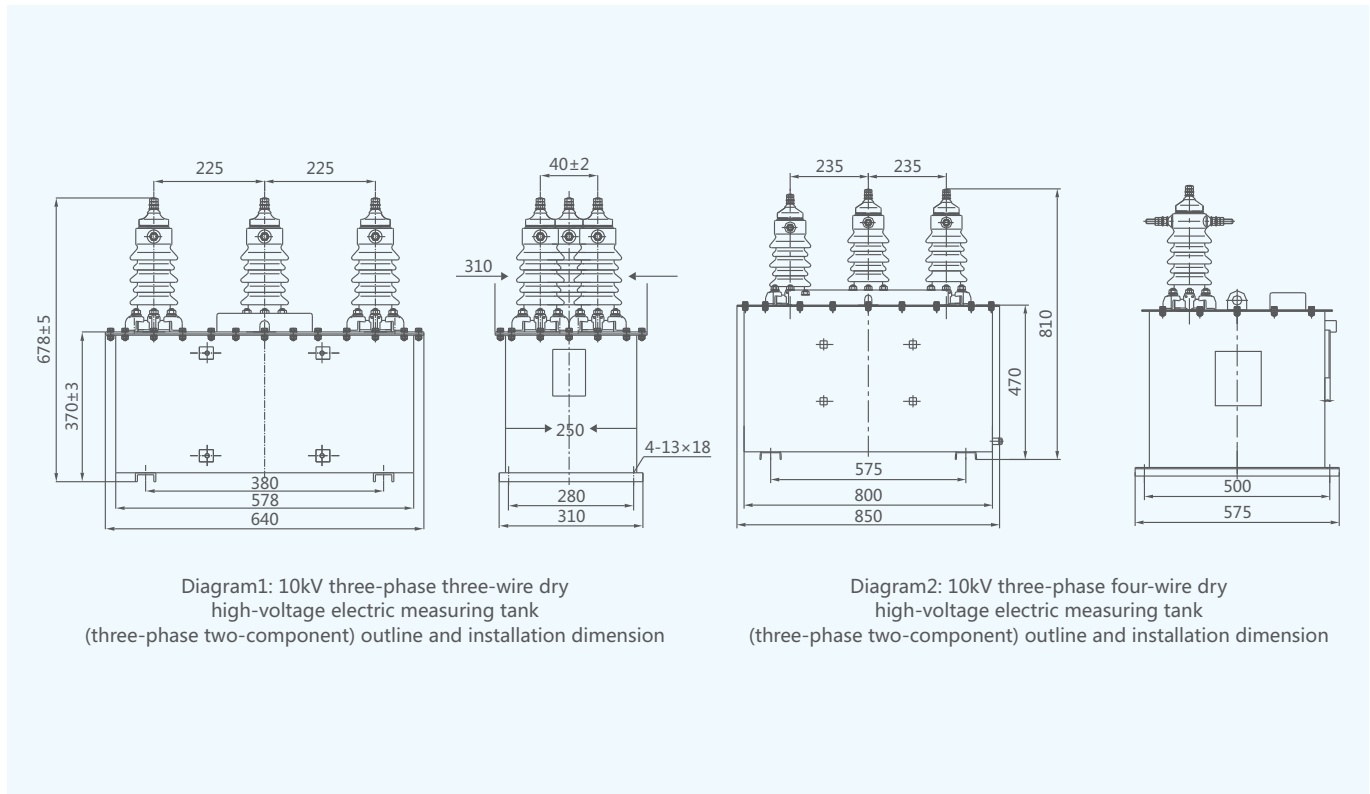
Two-phase One ground system: Putting the wiring terminal of phase-'B' bushing in above chart to earth alone reliably, the rest is same as above.
Note: S2 parallel connection with S4 is changed to S2



Connection diagram 3 of three-phase four-wire watt-hour meter

JLSZW□-6、10
Outdoor HV Electric Mesuring Tank

Elementary Diagram



Outline Diagram of Metering Tank

